



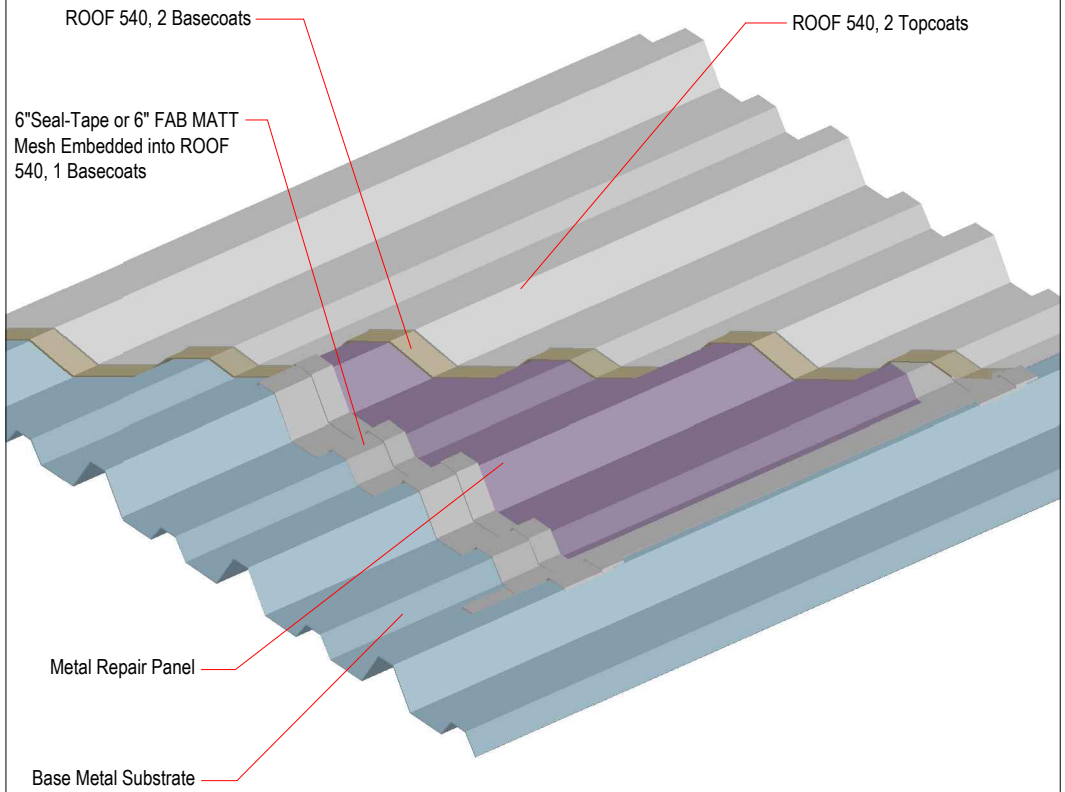
Head Office:
 A-11,4th Floor
 Malad Yojana CHS LTD,
 S.V Road, Malad (W),
Mumbai- 400 064.
 Tel.: +91 22 2888 3000
 2888 3002
 3222 7830
 Tel.Fax: +91 22 3222 7830
 Email: info@awcindia.in
 Website :www.awcindia.in

Factory Address:
 Plot No.2616, New GIDC,
 Opp. Weighing Scale, Umbergaon,
 Dist: Valsad, Gujarat-396171.
 Tel.: +0260 3193000
 Email: factory@awcindia.in

ROOF 540

The ROOF 540 Roof Preservation System forms a durable waterproofing membrane designed to extend the life of virtually any new or existing roof substrate.

- Reflects 85+% of the sun's rays.
- Dramatically reduces interior temperatures.
- Monolithic, liquid-applied; no seams of fasteners.
- Fully sustainable 10 years warranty.
- Apply to virtually any roof substrate.
- Reduces "Heat Island" effect.
- Classified cool construction material.
- UL, FM, ICBO, CRRC, ENERGY STAR IGBC certified.



Title:
ROOF 540
 Metal Repair
 Version: 01 Revised Date: 01/08/12 Date: 01/20/06



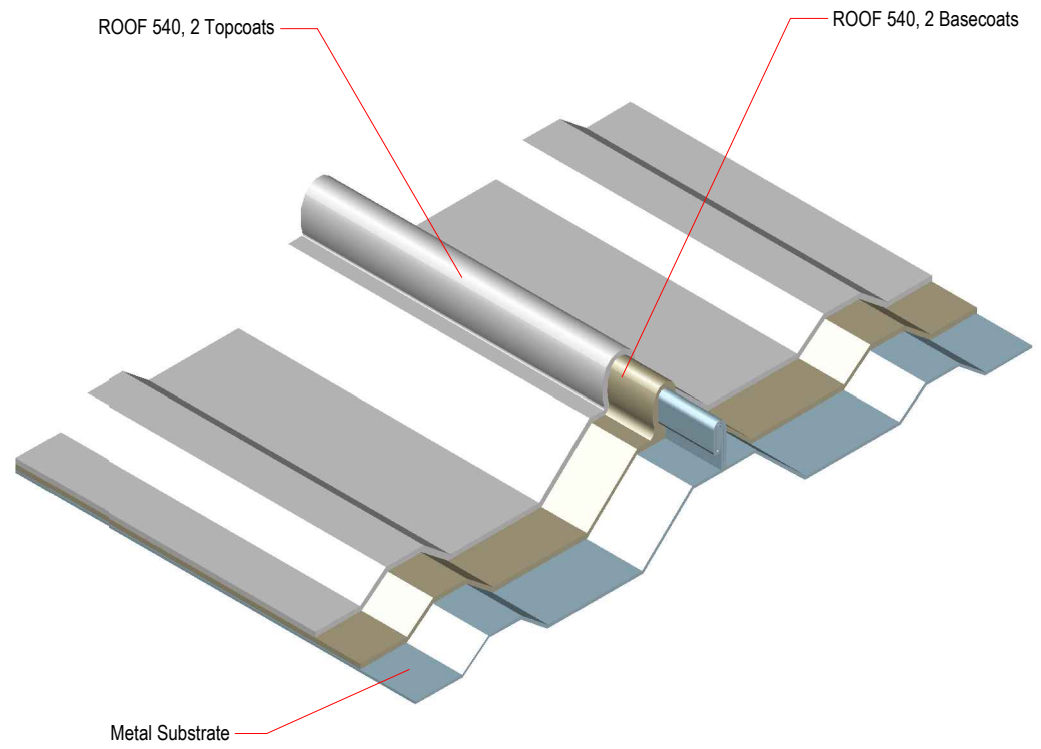
Head Office:
 A-11,4th Floor
 Malad Yojana CHS LTD,
 S.V Road, Malad (W),
Mumbai- 400 064.
 Tel.: +91 22 2888 3000
 2888 3002
 3222 7830
 Tel.Fax: +91 22 3222 7830
 Email: info@awcindia.in
 Website :www.awcindia.in

Factory Address:
 Plot No.2616, New GIDC,
 Opp. Weighing Scale, Umbergaon,
 Dist: Valsad, Gujarat-396171.
 Tel.: +0260 3193000
 Email: factory@awcindia.in

ROOF 540

The ROOF 540 Roof Preservation System forms a durable waterproofing membrane designed to extend the life of virtually any new or existing roof substrate.

- Reflects 85+% of the sun's rays.
- Dramatically reduces interior temperatures.
- Monolithic, liquid-applied; no seams of fasteners.
- Fully sustainable 10 years warranty.
- Apply to virtually any roof substrate.
- Reduces "Heat Island" effect.
- Classified cool construction material.
- UL, FM, ICBO, CRRC, ENERGY STAR IGBC certified.



Title:
ROOF 540
 Rolled Metal Seam W/Basecoat & Topcoat
 Version: 01 Revised Date: 01/08/12 Date: 01/20/09